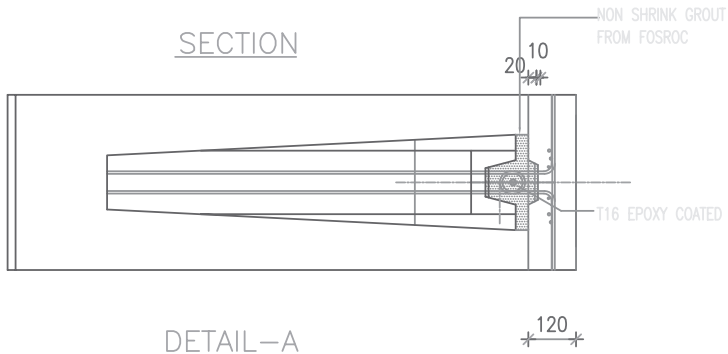


SECTION



DETAIL-A

BOUNDARY WALL TYPE-2